

Pressure Gauges / Liquid Filled Pressure Gauges / CL 2.5 / Ø 50 mm.
CONSTRUCTIVE PROPERTIES

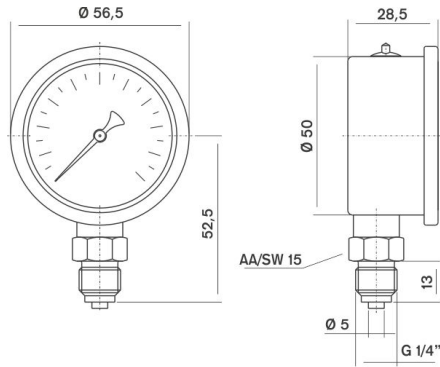
	STANDARD	OPTIONAL
Mounting Type	Bottom Connection	See Technical Drawing
Scale Unit	bar/psi	bar psi kg/cm ²
Scale Range (PN)	0/1 0/1,6 0/2,5 0/4 0/6 0/10 0/16 0/25 0/40 0/60 0/100 0/160 0/250 0 - 315 0/400 0/600	
Vacuum Scale Range	-1 / +1,5 -1 / +3 -1 / +5 -1 / +9 -1 / +0,6 -1 / 0	
Case	Stainless Steel AISI-304	-
Bezel	Stainless Steel AISI-304	-
Window	Polycarbonate	-
Movement	Brass	-
Wetted Parts	Copper Alloy	-
Connection	G 1/4" B	1/4" NPT
Dial	Aluminum	-
Pointer	Aluminum	-
Welding	Soldering	Hard Soldering
Filling Liquid	Glycerine	-


MG050GRS1.
 Bottom Connection

USAGE PROPERTIES

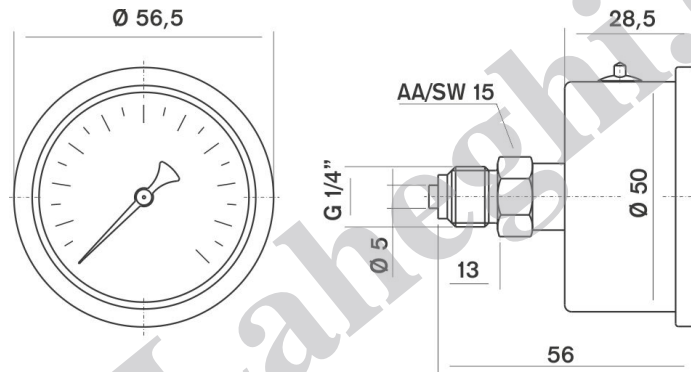
Fluid Temperature	Maximum + 60 °C	Maximum + 100 °C
Ambient Temperature	- 20 ... + 60 °C	-
Operating Pressure (max.)	Must not exceed %75' of full scale.	
Over Pressure Limit	≤40 bar PN x 1.25 >40 bar PN x 1.15	
Accuracy Class	CL 2,5	CL 1.6
Protection Rate	IP 65	-
Storage Temperature	-40 ... +70 °C	-
Conformity	EN 837 - 1	-
Mechanical Shock Test Load	15g	-
Mechanical Vibration Test	10 Hz ile 150 Hz -1 oktav/dk. 2s / 3 eksende	

Pressure Gauges / Liquid Filled Pressure Gauges / CL 2.5 / Ø 50 mm.



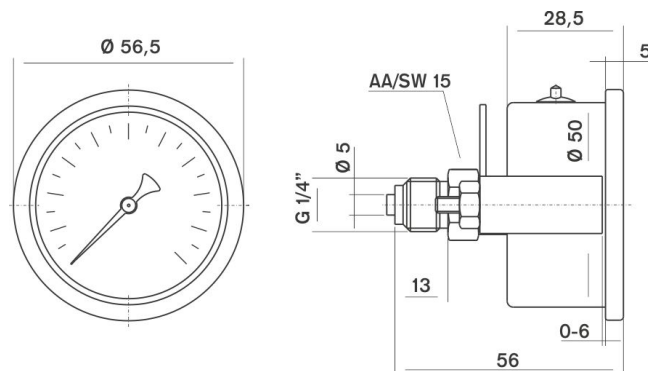
Model No: MG050GRS1

Bottom Connection



Model No: MG050GRS2

Back Connection



Model No: MG050GRS3

Back Connection Panel Mounted